

Servo/step motor exclusive precision planetary reducer

GPN6 □ series

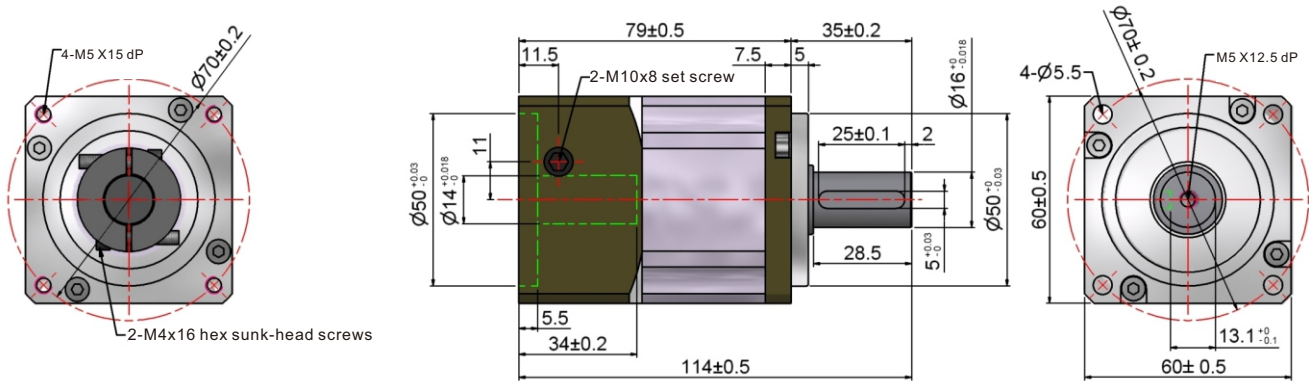


Features

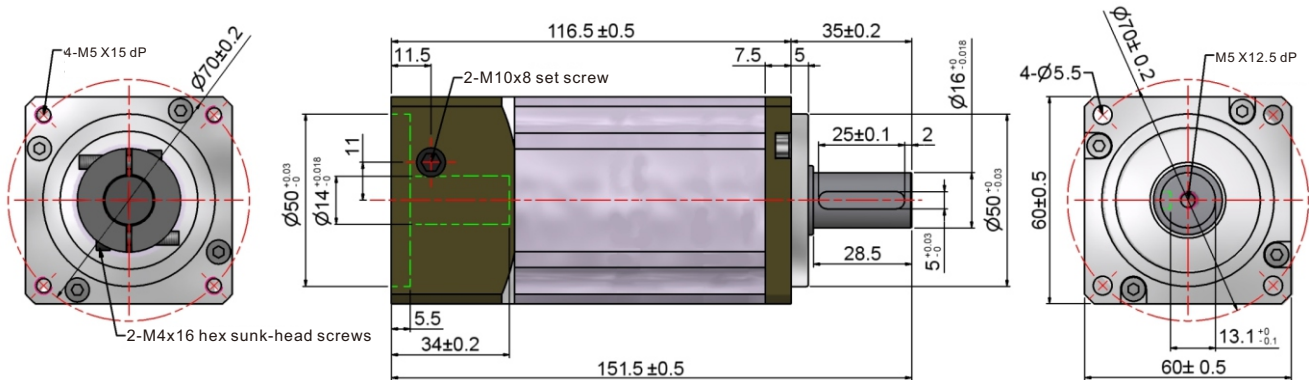
- Anodized aluminum alloy casing of light weight, high rigidity, and good environmental resistance.
- Nitrided steel gear for good impact and wear resistance.
- Compatible with servo and step motors of different brands.
- High efficiency >94%
- Low noise level < 60db
- Snap frame design for easy motor connection.
- Installation in either direction.

Specification	Unit	GPN603	GPN605	GPN610	GPN625	GPN630	GPN650	GPN6100	
		GPN603P	GPN605P	GPN610P	GPN625P	GPN630P	GPN650P	GPN6100P	
Number of stage		Single stage			Dual stage				
Gear Ratio		3	5	10	25	30	50	100	
Nominal output	Tn	Nm	55	60	40	60	55	60	40
Torque maximum output	Tp	Nm	Triple of the rated output torque						
Nominal input speed	Nn	rpm	5000						
Maximum input speed	Np	rpm	10000						
Backlash		arcmin	General						
Torsional stiffness		Nm/arcmin	7						
Radial load at the output shaft	Fr	N	1530						
Axial load at the output shaft	Fa	N	765						
Efficiency	η	%	97			94			
Running noise (n=3000rpm)		db	< 60						
Operating temperature		°C	-10~+90						
Weight		Kg	0.99 +/- 0.05			1.5 +/- 0.05			
Screw specification for motor and reducer combination			M5/M4						
Installation direction			Any direction						

□ Dimension diagram



Single stage



Dual stage

* Note: Mitsubishi servo motor requires M5 screw hole
Panasonic servo motor requires M4 screw hole

* See "Planetary reduce and motor installation manual" for details
on the connection operation.